



# Structural Performance Certification Authorization Report

## Pocahontas Aluminum Company, Inc.

PO Box 756, 2001 Industrial Drive  
Pocahontas, AR 72455, USA

Certification ID:	757-131
Company Code:	757
Certification Date:	1/4/2016
Revision No:	1
Revision Date:	10/16/2023
Expiration Date:	11/30/2026

### Product Rating Information:

Model:	100 VS Aluminum Vertical Sliding Window			
Operator Type:	VS			
Configuration:	No			
Referenced Standard:	AAMA/WDMA/CSA 101/I.S.2/A440-08			
Product Rating:	Class R-PG15 762x762* (30x30*)-VS, DP=+/-35			
Rated Dimensions:	Max Width:	30 in	Max Height:	30 in

### Qualifying Test Information:

Test Report No:	ATI-F3051.01-801-44/ATI-95537.02-801-44
Test Report Expiration:	11/30/2026

This Certification Authorization Report (CAR) is issued by Keystone Certifications, Inc. (KCI) after full validation review, and is based on a standardized evaluation of the product conducted by an independent accredited laboratory in accordance with the specified referenced standard. Actual fenestration product performance may vary based on many factors, including installation, condition of the wall/roof substrate and the age of the product and installation components.

This report indicates the product is eligible for the application of Keystone Certification Program certification labels. Licensee stipulates in affixing certification labels to products, that those products are representative of the specimen evaluated and documented for certification authorization. Only products bearing such a certification label shall be considered certified. The information in this report can be verified at [www.keystonecerts.com](http://www.keystonecerts.com)



### Authorized By:

Shaun Shaull  
*Shaun Shaull* 2023.10.16 07:56:09  
-04'00'

Keystone Certifications, Inc.  
145 Limekiln Rd, Suite 100B  
New Cumberland, PA 17070  
Phone: 717-932-8500

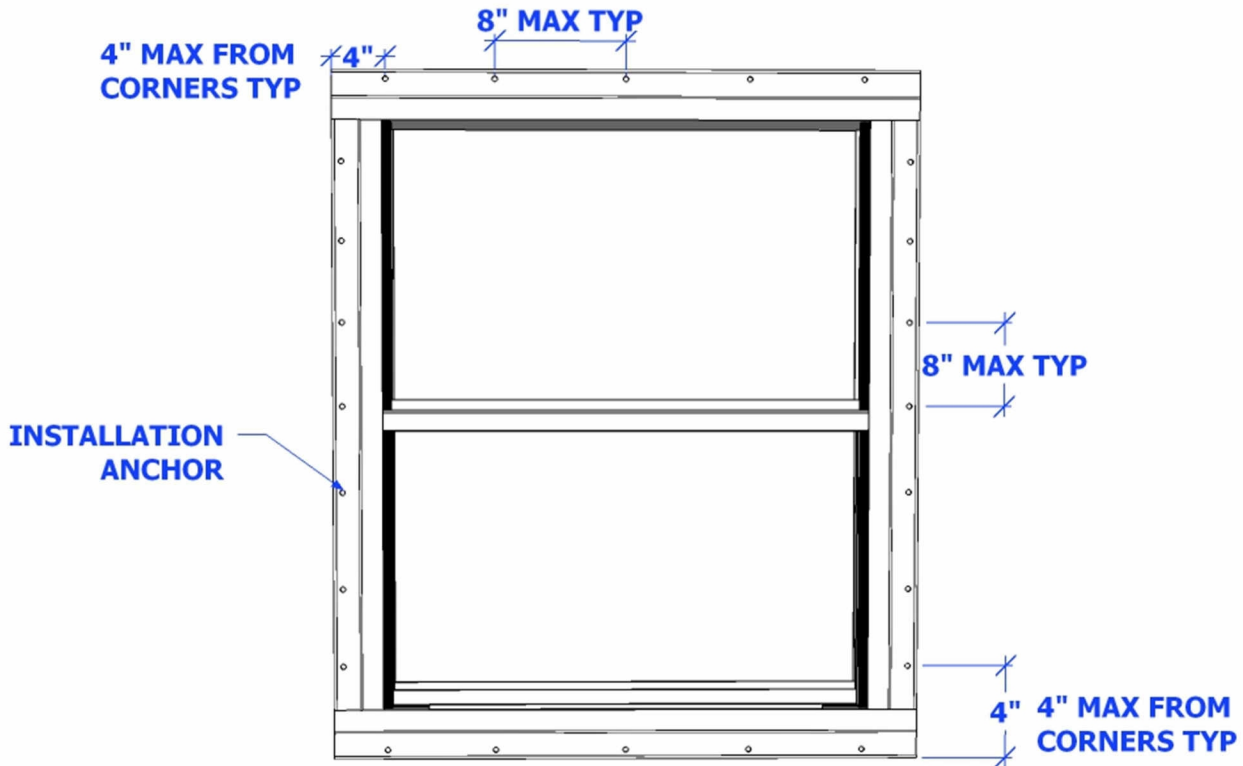
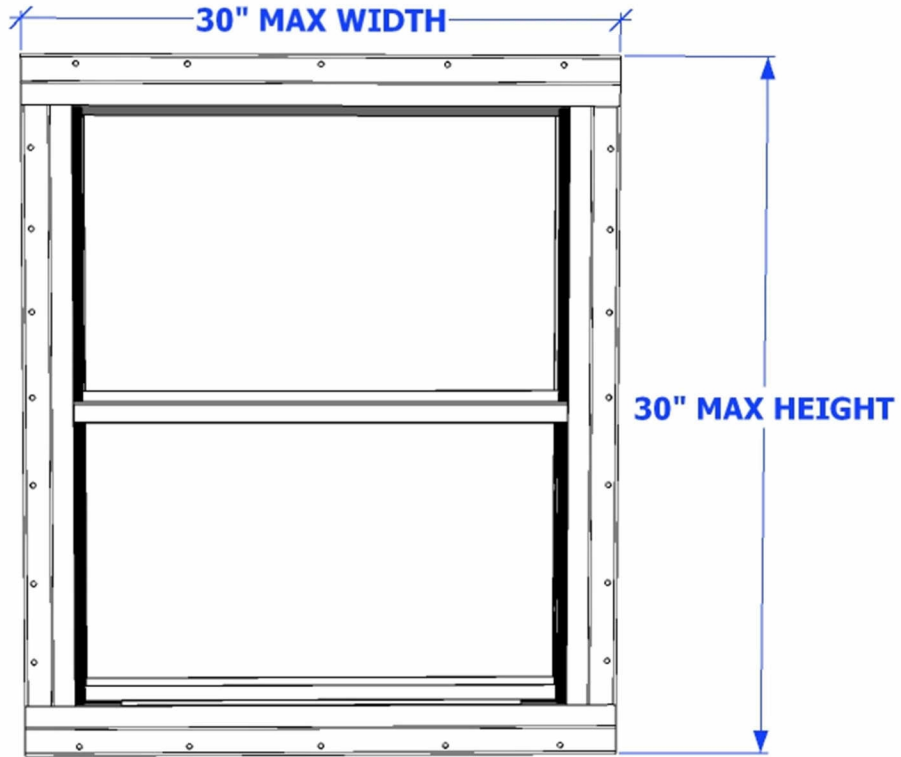


# Structural Performance Certification Authorization Report

## Revision History

Rev #	Date	Description
0	1/4/2016	Initial Issuance.
1	10/16/2023	Granted 3 Year Extension.

**INSTALLATION METHOD  
ALUMINUM NON-INSULATED  
ELEVATION & ANCHOR LAYOUT**



SCALE: NTS  
ALL DIMENSIONS: +/- 1/8"

DWN BY: AMM

CHK BY: KEA

DATE: 10/13/15

TITLE:  
INSTALLATION METHOD  
ALUMINUM NON-INSULATED  
ELEVATION & ANCHOR LAYOUT

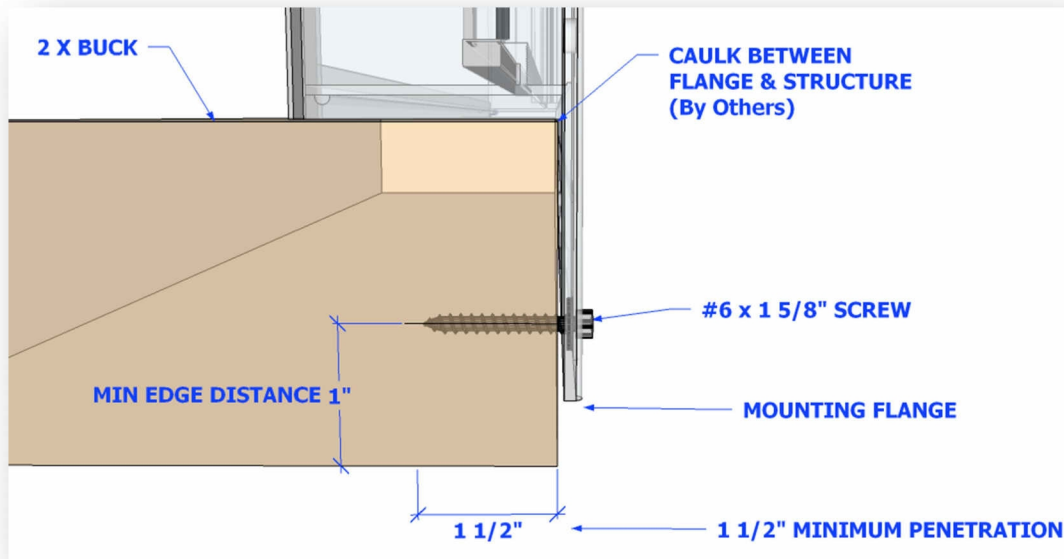
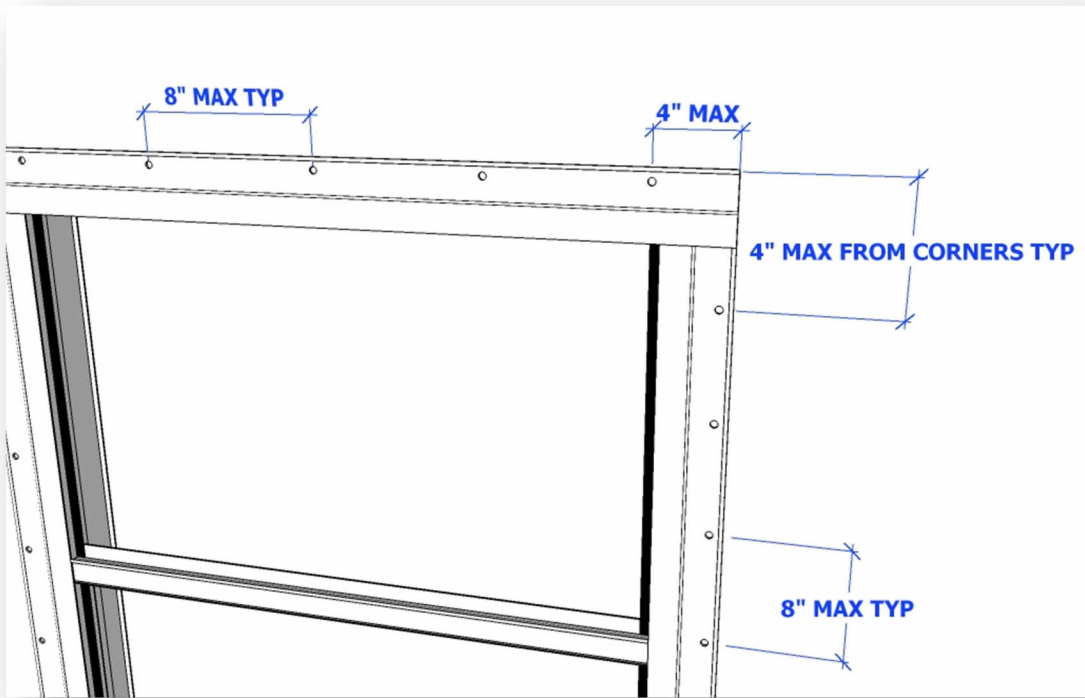
PREPARED BY:  
POCAHONTAS ALUMINUM COMPANY, INC.  
2001 INDUSTRIAL DRIVE  
POCAHONTAS, AR 72455  
PH: 870-892-3689 FAX: 870-892-9858

REVISIONS			
NO.	DESCRIPTION	BY	DATE

COPYING OR  
DUPLICATION IS  
PROHIBITED WITHOUT  
WRITTEN PERMISSION  
FROM POCAHONTAS  
ALUMINUM  
COMPANY, INC.



**INSTALLATION METHOD  
ALUMINUM NON-INSULATED  
ELEVATION & ANCHOR LAYOUT**



SCALE: NTS  
DIMENSIONS: +/- 1/4"  
DWN BY: AMM  
CHK BY: KEA  
DATE: 10/13/15

TITLE:  
INSTALLATION METHOD  
ALUMINUM NON-INSULATED  
ELEVATION & ANCHOR LAYOUT

PREPARED BY:  
POCAHONTAS ALUMINUM COMPANY, INC.  
2001 INDUSTRIAL DRIVE  
POCAHONTAS, AR 72455  
PH: 870-892-3689 FAX: 870-892-9858

REVISIONS			
NO.	DESCRIPTION	BY	DATE

COPYING OR  
DUPLICATION IS  
PROHIBITED WITHOUT  
WRITTEN PERMISSION  
FROM POCAHONTAS  
ALUMINUM  
COMPANY, INC.

